



Groundmech Machinery Ltd  
Technology House,  
Church Road, Shottermill,  
Haslemere, Surrey, GU27 1NU  
Tel: 01372 4668341  
e-mail: [groundmech@surreypower.co.uk](mailto:groundmech@surreypower.co.uk)  
[www.groundmech.com](http://www.groundmech.com)

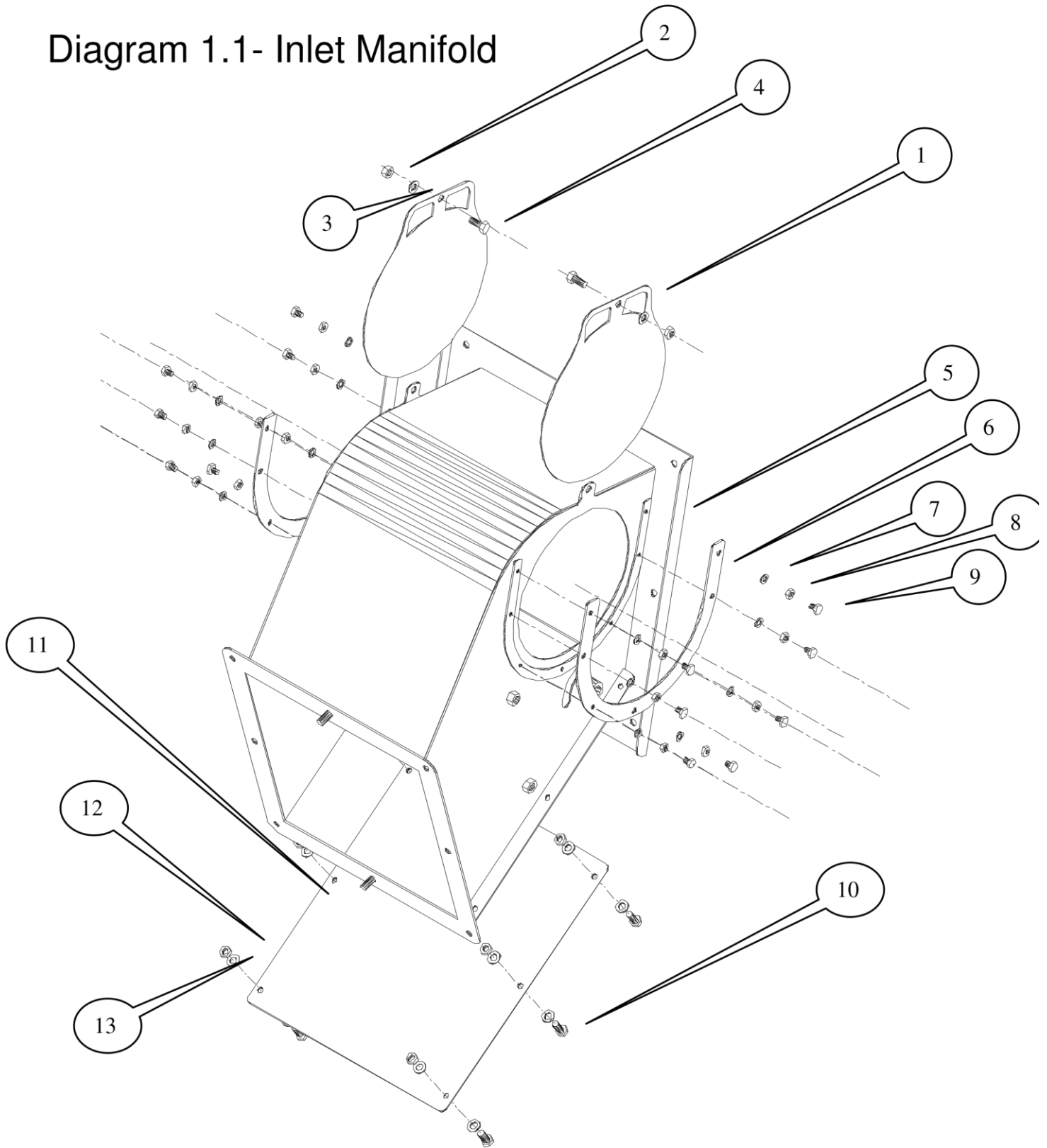
## Parts manual: TM5 Trailed Vacuum



This Parts Manual has been produced for the reordering of spare parts, whether they are components or sub-assemblies. In some instances a component may not be available as a single item, but will be available as a sub-assembly. For example, a 'Sleeve' may be fitted with a 'Bearing Bush' because the end user will not have the equipment to fit the two parts together without causing damage to them.

This Manual consists of numerous diagrams, each detailing a 'section' of the product e.g. the drive system, suspension, pulleys etc. Each diagram has a bubble reference for each individual component, which is cross referenced in the adjacent table to a Part Number. To obtain spare parts, contact our Parts Department, with the part number of the item you require, together with the quantity you need, and an order number (where possible). Alternatively you can place an order using a credit card.

Diagram 1.1- Inlet Manifold

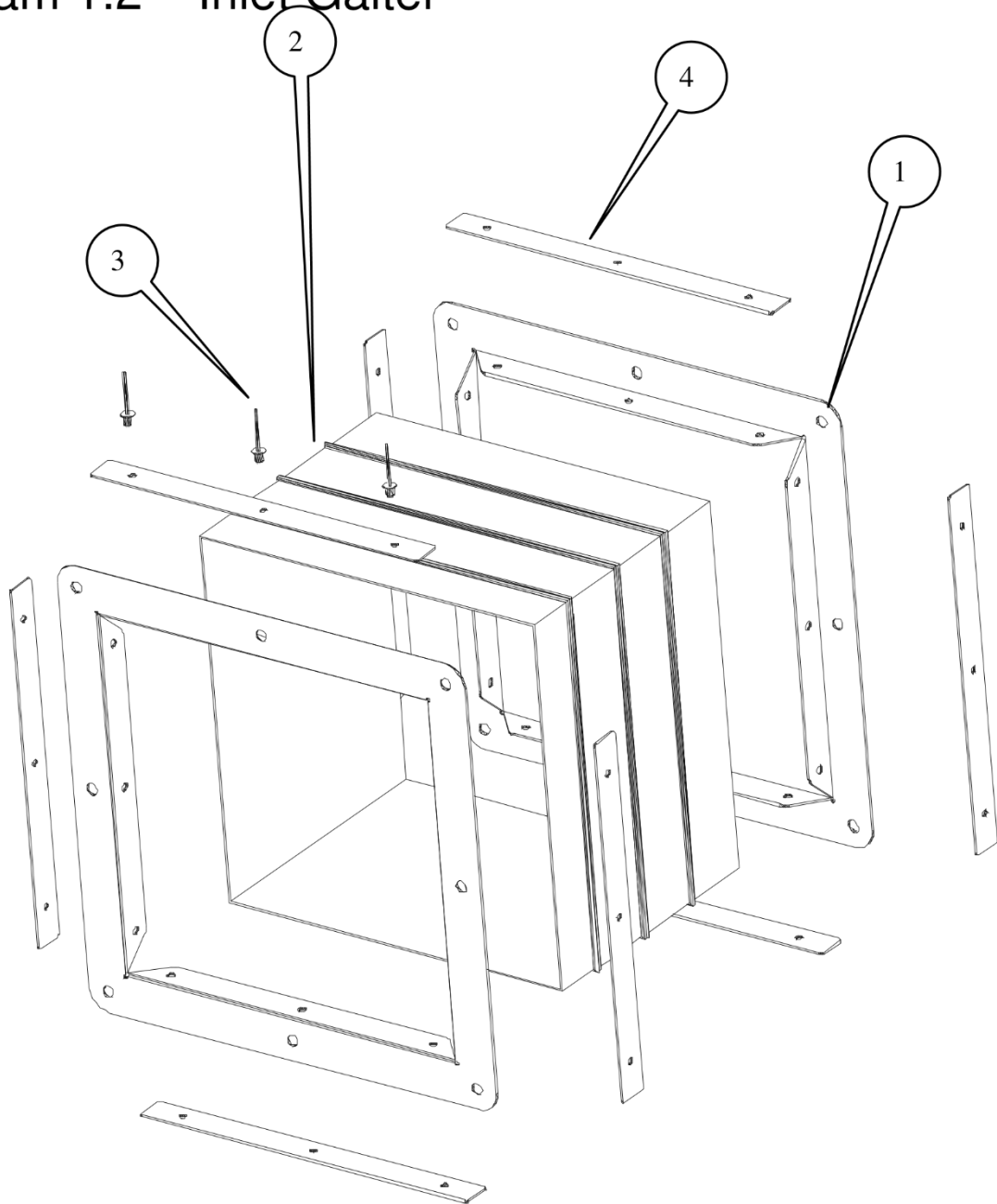




## 1.1 Sub-assemblies - Inlet manifold

No	Description	Part No	Qty
1.	Side Hose Blank	T001498	2
2.	Nylock nut	10NNZY	2
3.	Plain washer	10PWZY	2
4.	Set Screw	10-25SSZY	2
5.	Inlet Manifold	T001594	1
6.	Side Hose Mount flange	T001582	2
7.	Plain washer	8PWZY	14
8.	Plain Nut	8PNZY	14
9.	Set Screw	8-15SSZY	14
10.	Set Screw	10-35SSZY	6
11.	Inlet Bottom Plate	T001938	1
12.	Nylock Nut	10NZY	6
13.	Plain Washer	10PWZY	12

Diagram 1.2 – Inlet Gaiter

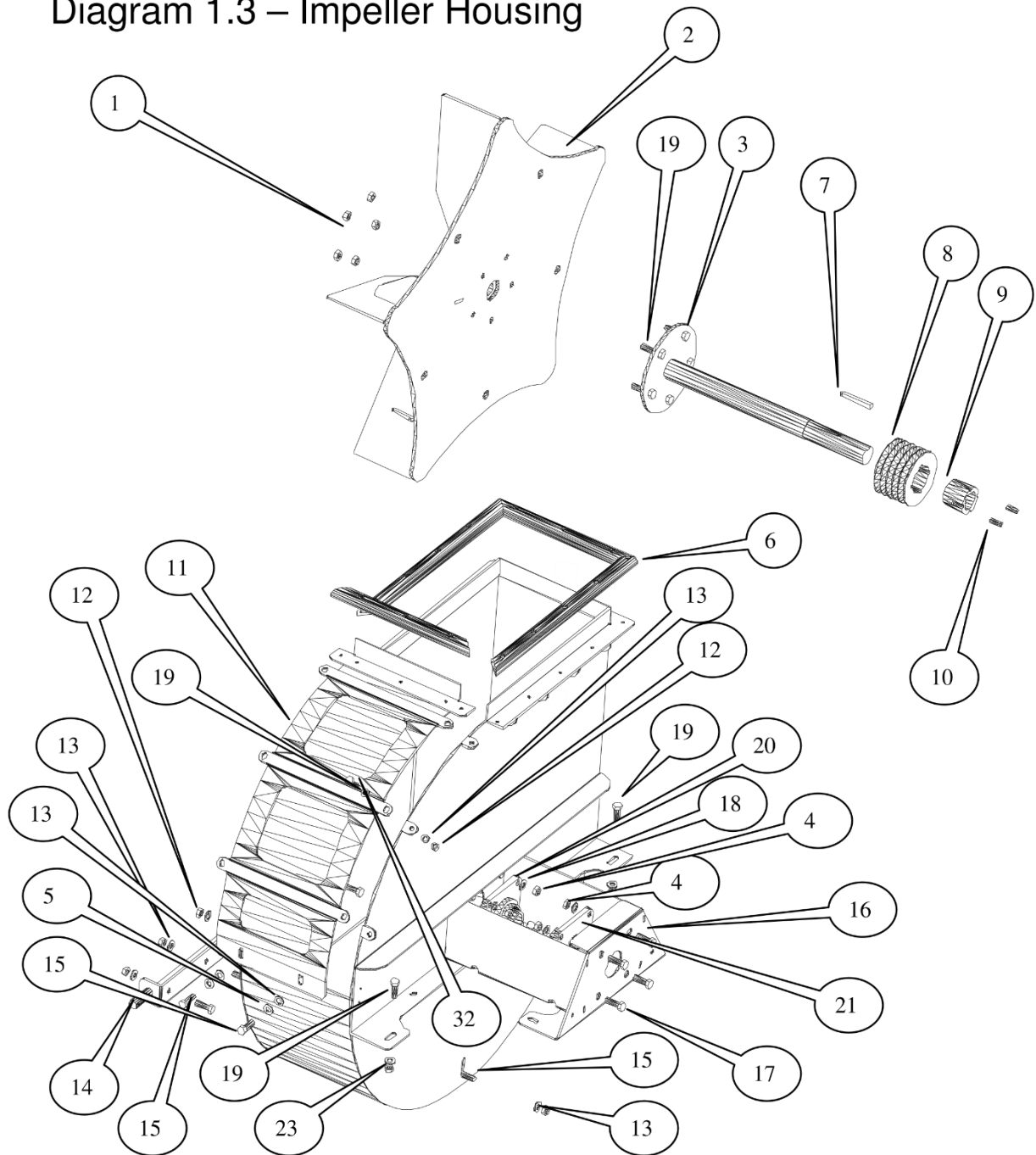




## 1.2 Sub-assemblies – Inlet Gaiter

No	Description	Part No	Qty
1.	Gaiter Flange	T001606	2
2.	Gaiter	T001609	1
3.	Rivet	6 x 16PRA	24
4.	Gaiter Rivet Plate	T001611	8

Diagram 1.3 – Impeller Housing

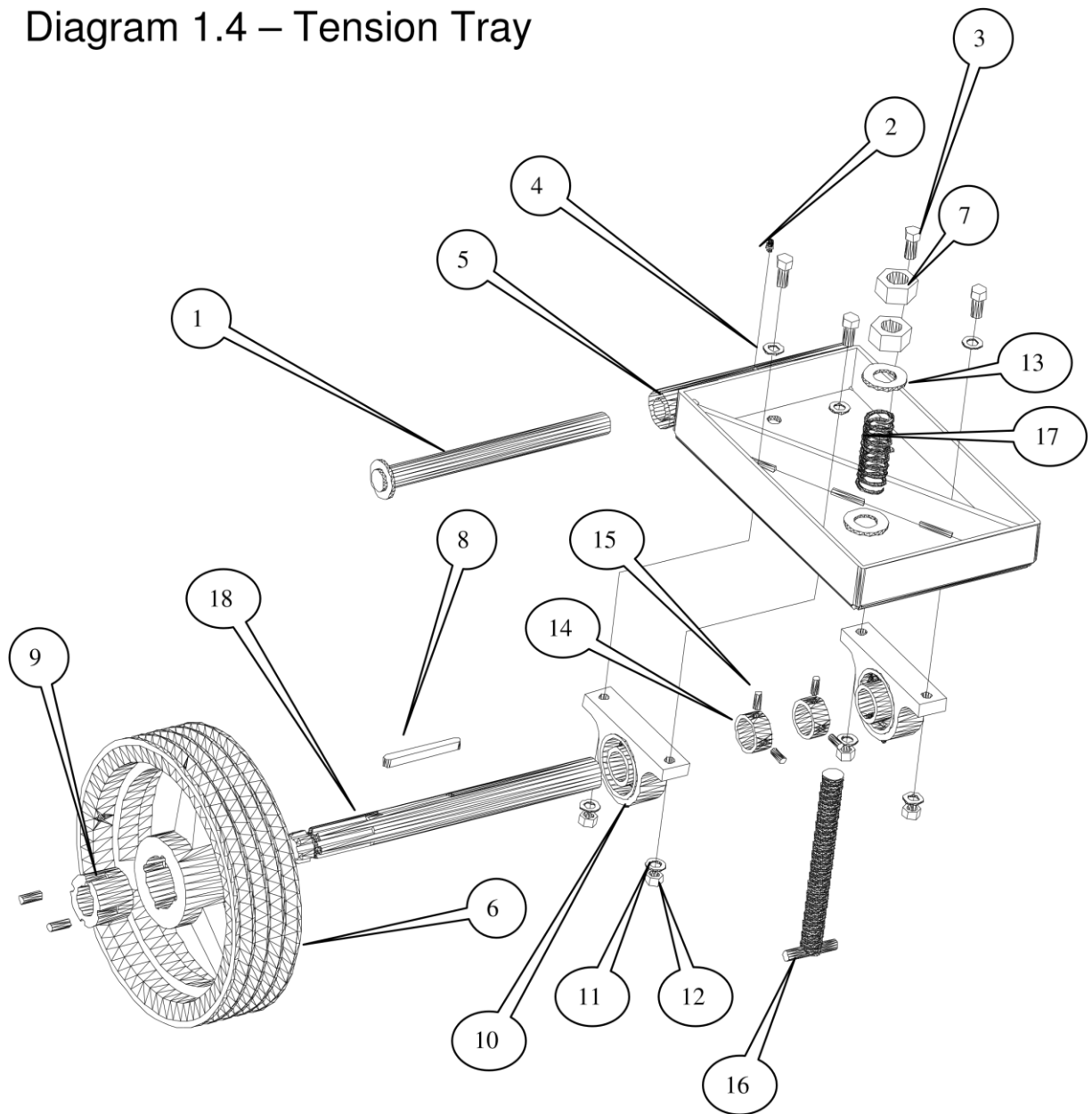




### 1.3 Sub-assemblies – Impeller Housing

No	Description	Part No	Qty
1.	Plain nut	10PNZY	5
2.	Impeller	T000770	1
3.	Impeller Shaft	T001440	1
4.	Nylock Nut	16NNZY	8
5.	Spring Washer	10SWZY	2
6.	Intake seal	T004756	1
7.	Key	T001898	1
8.	Driven Pulley	T001890	1
9.	Taper Lock Centre (Impeller)	T001915	1
10.	Grub screw	T002378	2
11.	Inspection Plate	T001385	1
12.	Nylock Nut	10NZY	12
13.	Washer Plain	10PWZY	33
14.	Suction Head Tow Frame	T001431	1
15.	Set Screw	10-25SSZY	12
16.	Fan Housing	T001356	1
17.	Set Screw	16-50SSZY	8
18.	Plain Washer	16PWZY	16
19.	Set Screw	10-30SSZY	13
20.	Bearing	T002379	1
21.	Bearing	T002292	1

Diagram 1.4 – Tension Tray



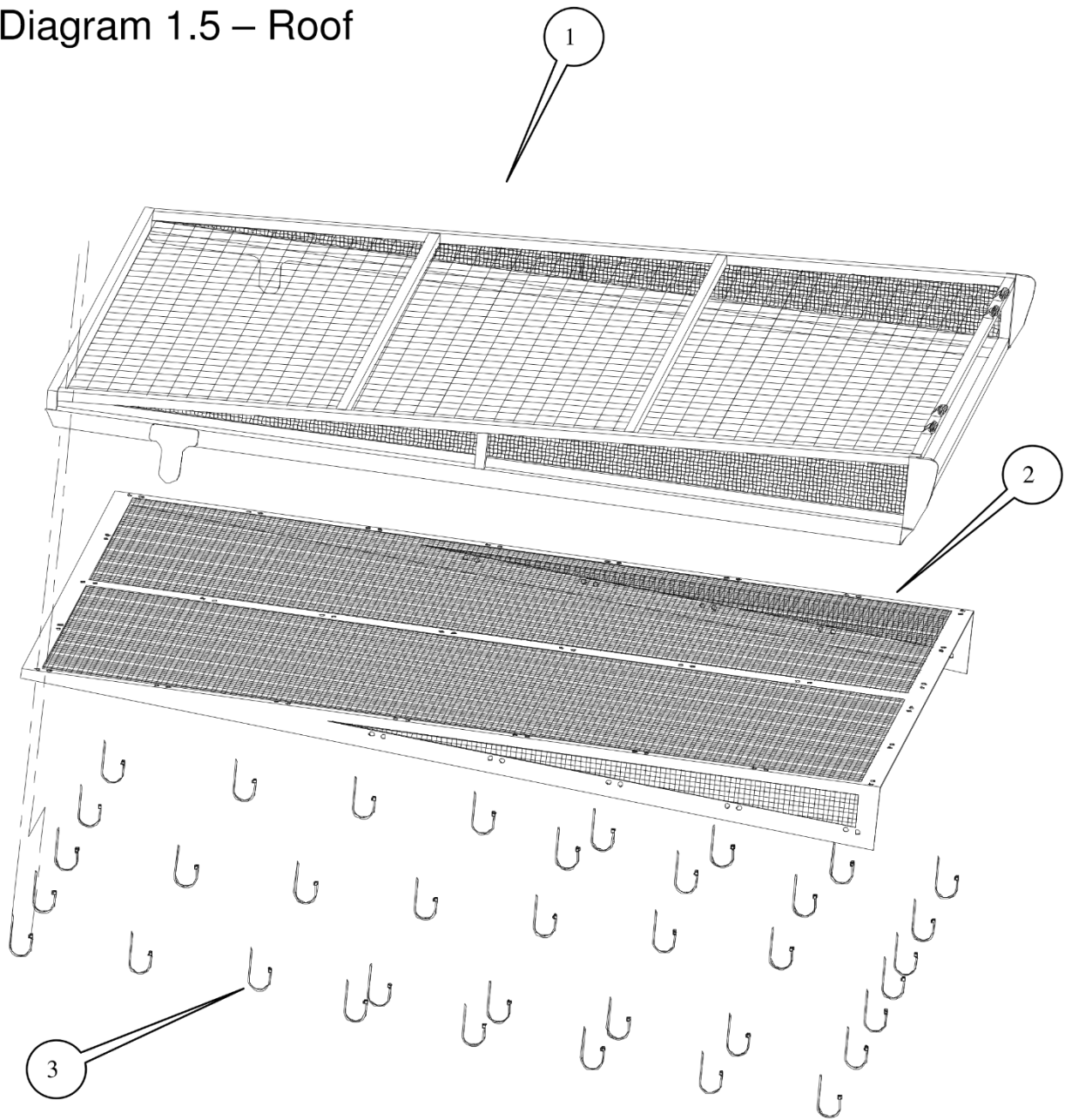




## 1.4 Sub-assemblies – Tension Tray

No	Description	Part No	Qty
1.	Tension Tray pin	T001396	1
2.	Grease Nipple	T000481	1
3.	Set Screw	12-45SSZY	4
4.	Hardened washer	12HWZY	4
5.	Tension Tray	T001390	1
6.	Drive pulley	T001889	1
7.	Plain Nut	24PNZY	2
8.	Key	T001897	1
9.	Taper Lock Centre (Input)	T001914	1
10.	Bearing	T002293	2
11.	Plain washer	C12PWZY	4
12.	Nylock Nut	12NNZY	4
13.	Plain Washer	24PWZY	2
14.	Collar	T002289	2
15.	Grub Screw	8-10KCPGS	4
16.	T-Bar	T001421	1
17.	Spring	T002290	1
18.	Input Shaft	T001491	1
19.	Drive belt	T001888	1

Diagram 1.5 – Roof

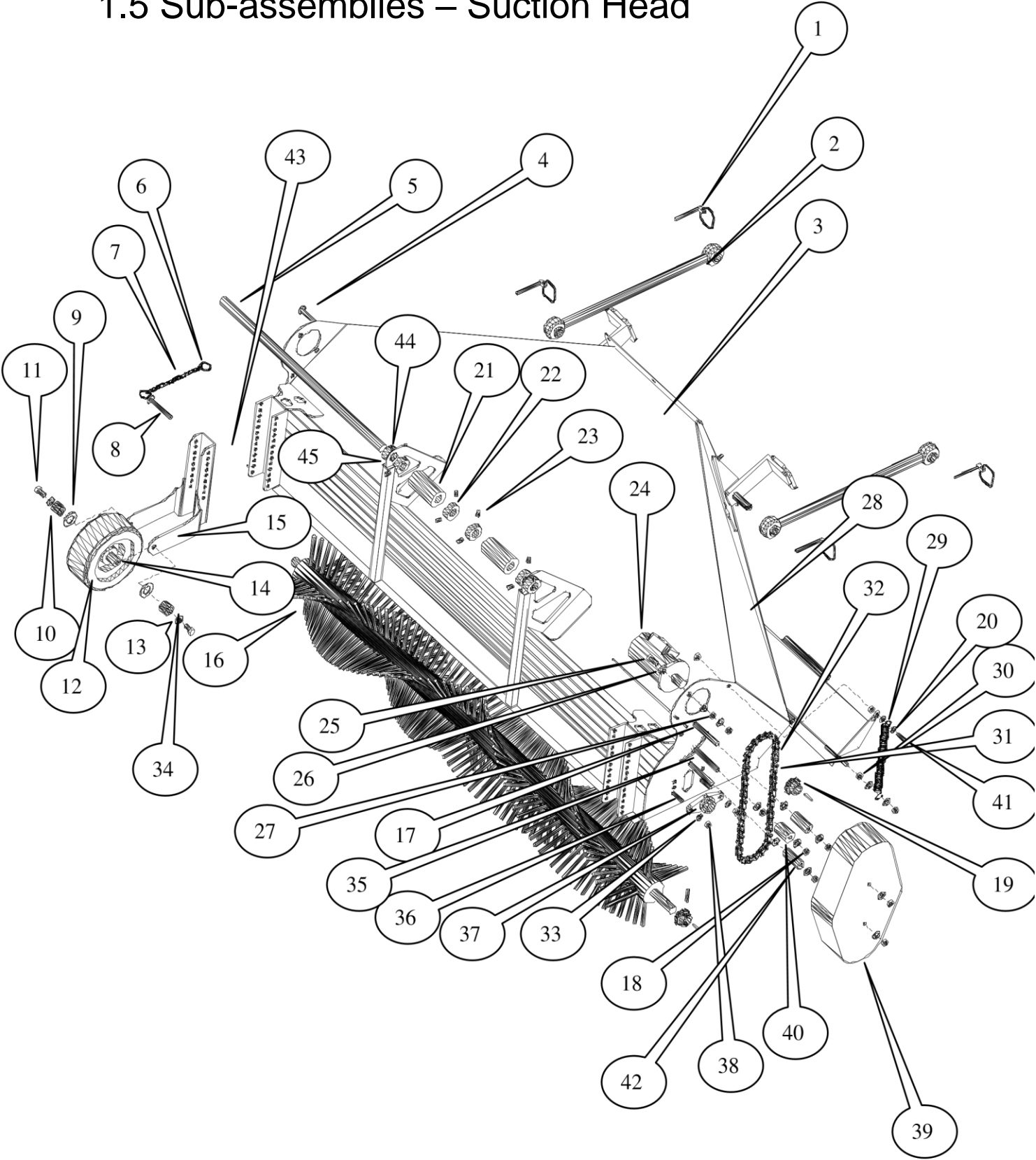




## 1.5 Sub-assemblies - Roof

No	Description	Part No	Qty
1.	Roof	T001472	1
2.	Inner Mesh	T001960	1
3.	Cable Ties	3.6-300CTB	38

## 1.5 Sub-assemblies – Suction Head

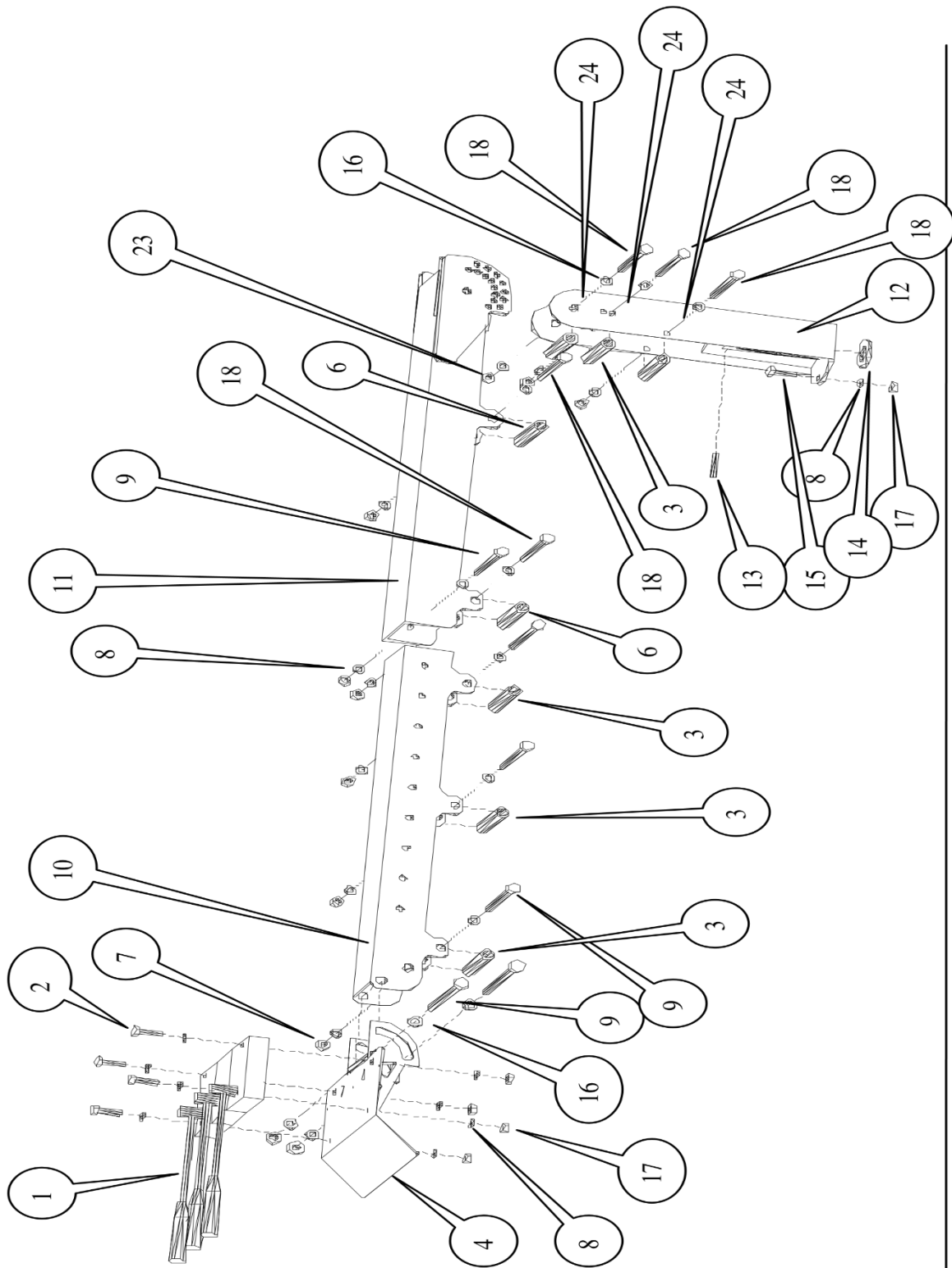




## 1.6 Sub-assemblies – Suction Head

No	Description	Part No	Qty
1.	Lynch pin	T000577	4
2.	Tow bar	T001425	2
3.	Suction Head	T001631	1
4.	Front Flap Pin	T001660	1
5.	Lift Bar	T001646	1
6.	Snap Ring	T002451	4
7.	Chain (10 links)	T001994	2
8.	Caster locking pin	T001788	2
9.	Plain Washer	C24PWZY	4
10.	Caster Spacer	T001790	4
11.	Set Screw	12-25SSZY	4
12.	Wheel Assembly	T001911	2
13.	Plain Washer	C12PWZY	4
14.	Caster Axle	T001792	2
15.	Caster Frame	T001654	2
16.	Brush	T001603	1
17.	Bolt	10-90SSZY	1
18.	Plain nut	10PNZY	8
19.	Sprocket	T001895	2
20.	Repair Washer	10RWZY	4
21.	Lift Roller	T001626	2
22.	Locking collar	T001629	4
23.	Grub Screw	8-10KCPGS	8
24.	Hydraulic Motor	T001892	1
25.	Set Screw	12-35SSZY	2
26.	Plain Washer	12PWZY	8
27.	Nylock Nut	12NNZY	2
28.	Front Flap	T001636	1
29.	Front Flap spring	T002454	2
30.	Plain Nut	12PNZY	4
31.	Drive Chain	T002452	1
32.	Split Link	T002453	1
33.	Plain Washer	10PWZY	11
34.	Spring Washer	12SWZY	4
35.	Set Screw	10-90SSZY	2
36.	Set Screw	10-35SSZY	4
37.	Bearing	T002455	2
38.	Nylock Nut	10NNZY	10
39.	Chain Guard	T001701	1
40.	Chain Tensioner	T002456	1
41.	Set Screw	10-45SSZY	2
42.	Side guard tube	T002575	2
43.	R clip	T002457	2
44.	Set Screw	8-35SSZY	1
45.	Nylock Nut	8NNZY	1

## 1.7 Sub-assemblies – Control Arm



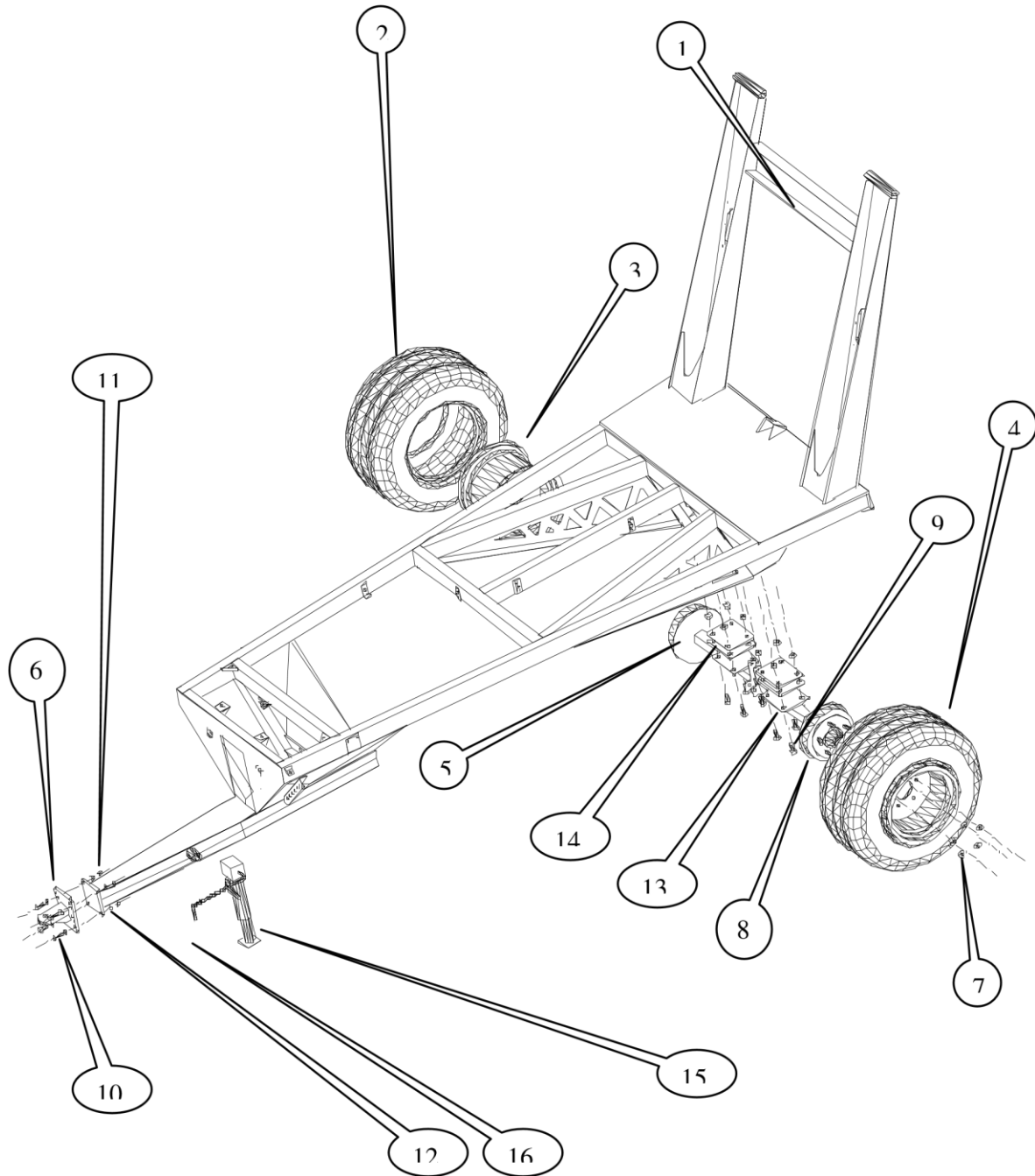




### 1.7 Sub-assemblies – Control Arm

No	Description	Part No	Qty
1.	Hydraulic valve block	T005025	1
2.	Set Screw	8-60SSZY	4
3.	Hydraulic Pivot Bush	T001847	6
4.	Hydraulic mount plate assy	T001858	1
5.	Bolt	8-100BZY	1
6.	Spacer tube	T004773	2
7.	Nylock Nut	10NNZY	10
8.	Plain Washer	8PWZY	10
9.	Bolt	10 -100BZY	6
10.	Hydraulic pressing	T001854	1
11.	Hydraulic pressing	T001855	1
12.	Hydraulic pressing	T001856	1
13.	Roll Pin	T000144	1
14.	Arm Pivot Washer	T001845	1
15.	Set Screw	8-35SSZY	1
16.	Plain Washer	10PWZY	8
17.	Nylock Nut	8NNZY	6
18.	Bolt	10-110BZY	4

## 2.1 Main Assembly – Main Chassis



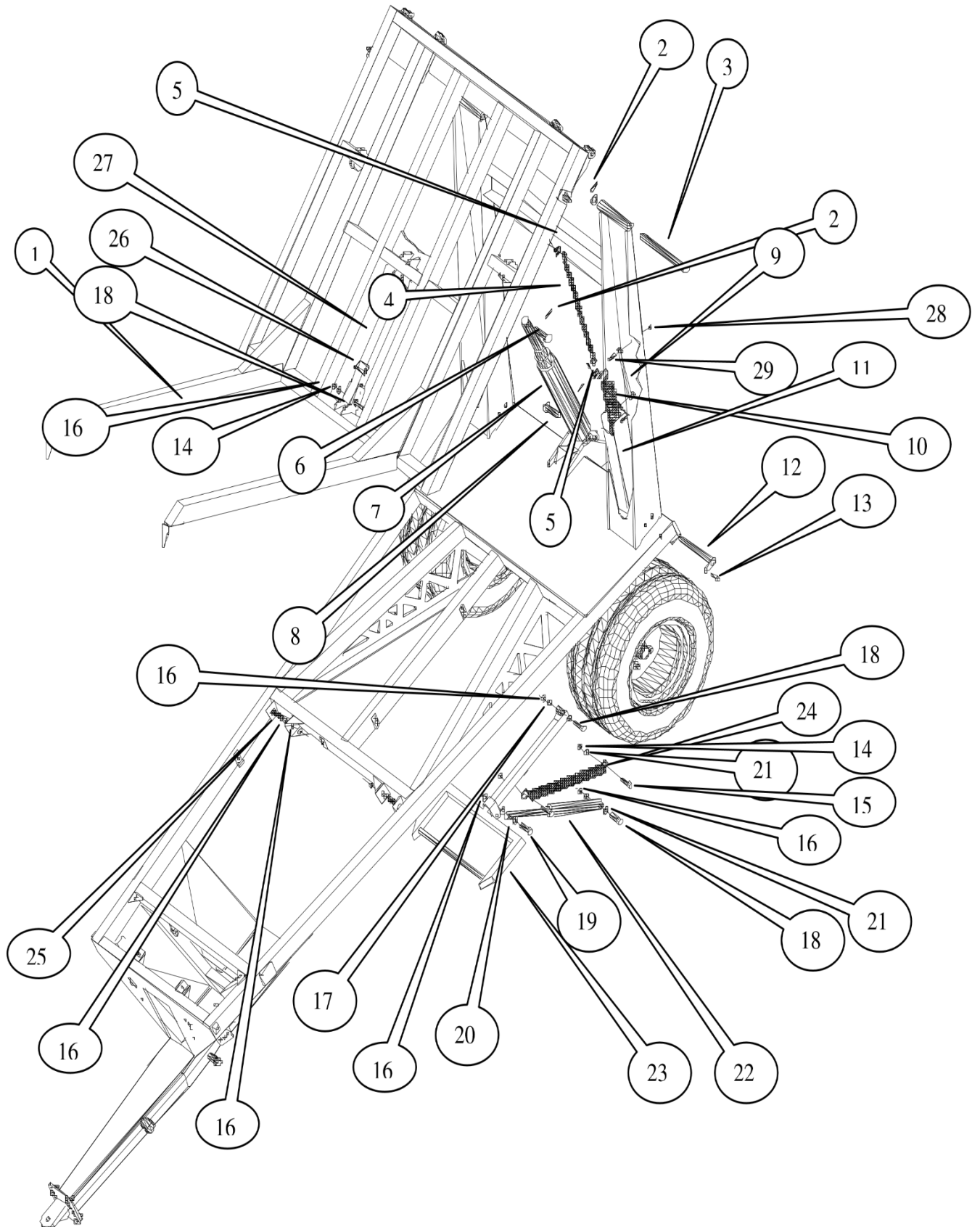




## 2.1 Main Assembly – Main Chassis

No	Description	Part No	Qty
1.	Main Chassis	T001411	1
2.	Tyre	T001887	ASM
3.	Rim	T001886	ASM
4.	Tyre Assembly	T001885	2
5.	Axle Assembly	T001664	1
6.	Draw Bar Tongue	T002111	1
7.	Wheel Nut	T002112	10
8.	Nylock Nut	20NNZY	8
9.	Set Screw	20-75SSZY	8
10.	Set Screw	12-45SSZY	4
11.	Nylock Nut	12NNZY	4
12.	Plain Washer	12PWZY	8
13.	Plain Washer	20PWZY	16
14.	Spacer Plate	T002127	4
15.	Jack	T000502	1
16.	Pin + Chain	T000586	4
17.	Plain Washer	20PWZY	16

## Diagram 2.1- Main Chassis

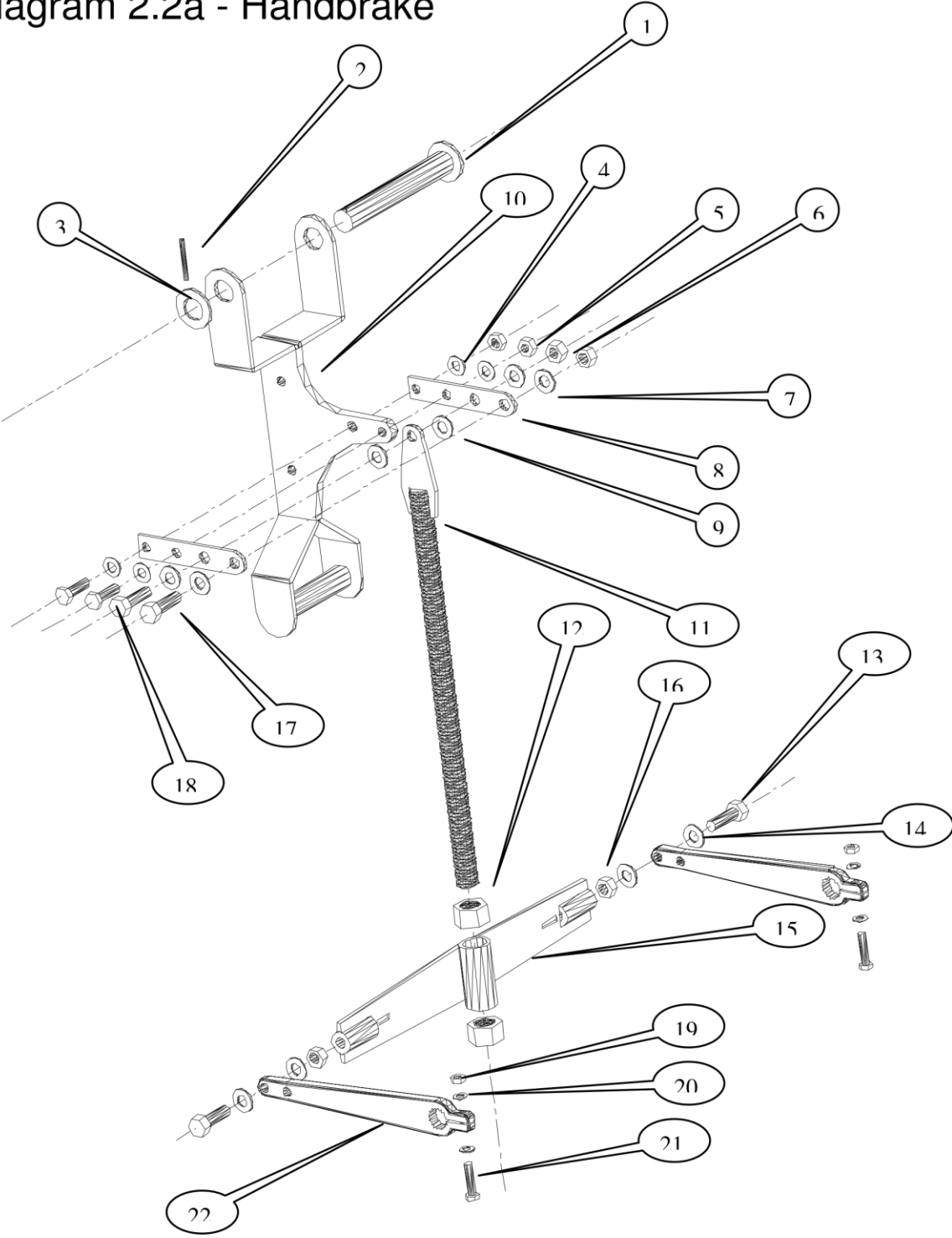




## 2.2 Main Assembly – Hopper Frame

No	Description	Part No	Qty
1.	Hopper frame	T001550	1
2.	Roll pin	T000144	2
3.	Hinge Pin	T001530	2
4.	Hopper Chain – 25 Links	T001994	2
5.	10mm D shackle	T004721	4
6.	Top ram Pin	T001871	1
7.	Rear ram	T001875	1
8.	Ram Pivot pin	T001796	1
9.	Rubber Tie	T002475	2
10.	Hopper Spring	T001879	2
11.	Spring Guide	T001927	2
12.	Spring Pin	T001781	2
13.	Set Screw	10-35SSZY	2
14.	Nylock nut	10NNZY	4
15.	Bolt	10-75BZY	2
16.	Nylock Nut	16NNZY	2
17.	Plain Washer	16PWZY	3
18.	Bolt	16-90BZY	1
19.	Bolt	16-75BZY	1
20.	Spacer	T001679	2
21.	Fork Spring	T001878	1
22.	Fork Ram	T001876	1
23.	Devils fork assy	T001678	1
24.	Spring Spacer	T005028	1
25.	Hopper guide plate	T001932	2
26.	Shaft locking pin	T005029	1
27.	Hopper support Assy	T001486	1
28.	Nylock nut	6NNZY	2
29.	Setpin	6-20SZY	2

Diagram 2.2a - Handbrake



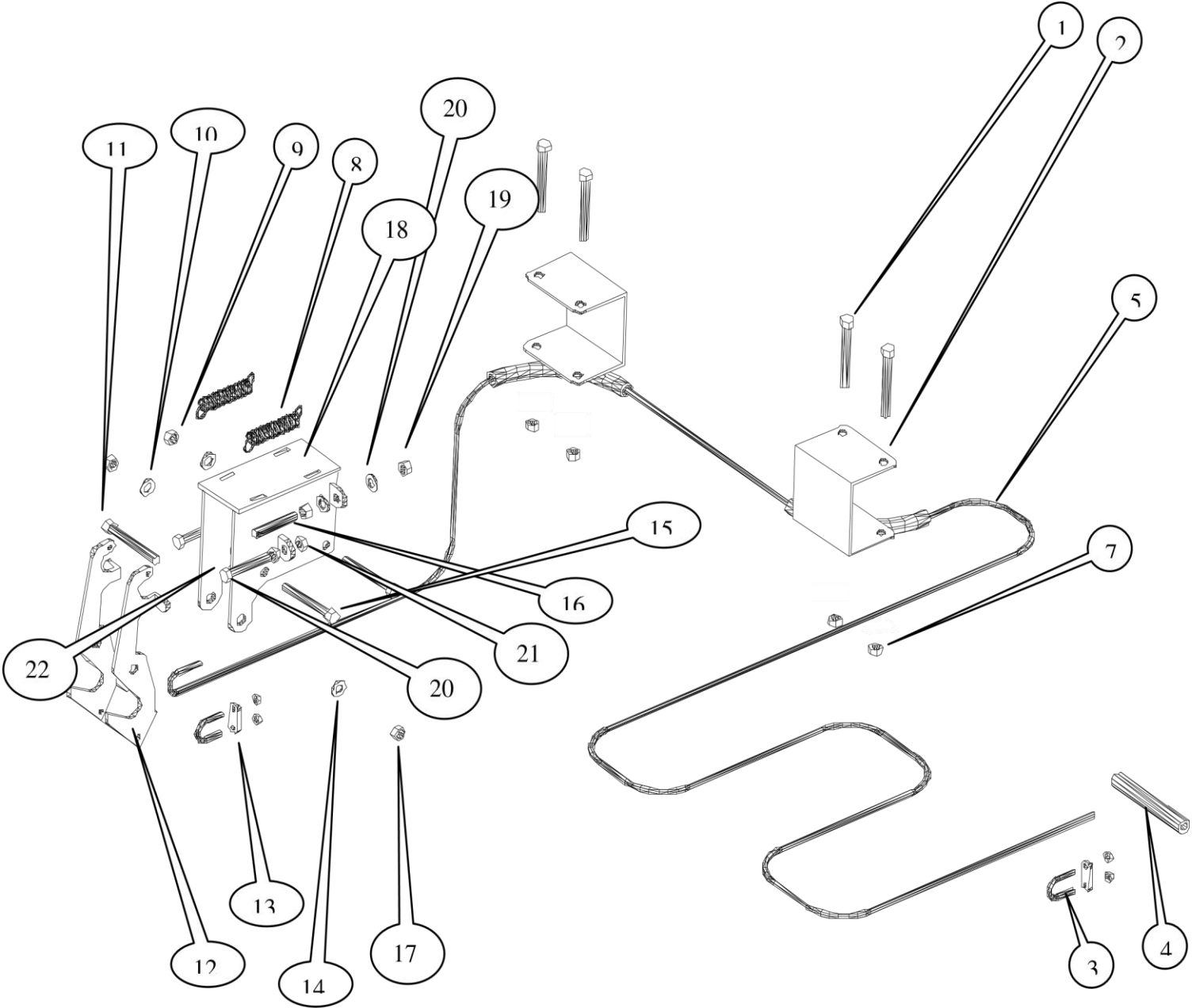


## Diagram 2.2 - Hopper Frame

### 2.2a Main Assembly – Handbrake

No	Description	Part No	Qty
1.	Ram Pivot pin	T001796	1
2.	Roll Pin	6-40RPZC	1
3.	Washer	C24PWZY	1
4.	Washer	A10PWZY	8
5.	Nylock Nut	10NNZY	3
6.	Nylock Nut	12NNZY	1
7.	Washer	C12PWZY	4
8.	Arm Clevis Plate	T002812	2
9.	Washer	C12PWZY	2
10.	Actuator Arm	T002817	1
11.	Actuator Rod	T002809	1
12.	Nut	24PNZY	2
13.	Bolt	10-50BZY	2
14.	Washer	C12PWZY	4
15.	Balance Bar	T002805	1
16.	Nut	12PNZY	2
17.	Set Screw	12-45SSZY	2
18.	Set Screw	10-45SSZY	1
19.	Nylock nut	8NNZY	2
20.	Washer	8PWZY	4
21.	Set Screw	8-50SSZY	2
22.	Axle Brake Lever	T002819	2

Diagram 2.3 – Suction Head Lock



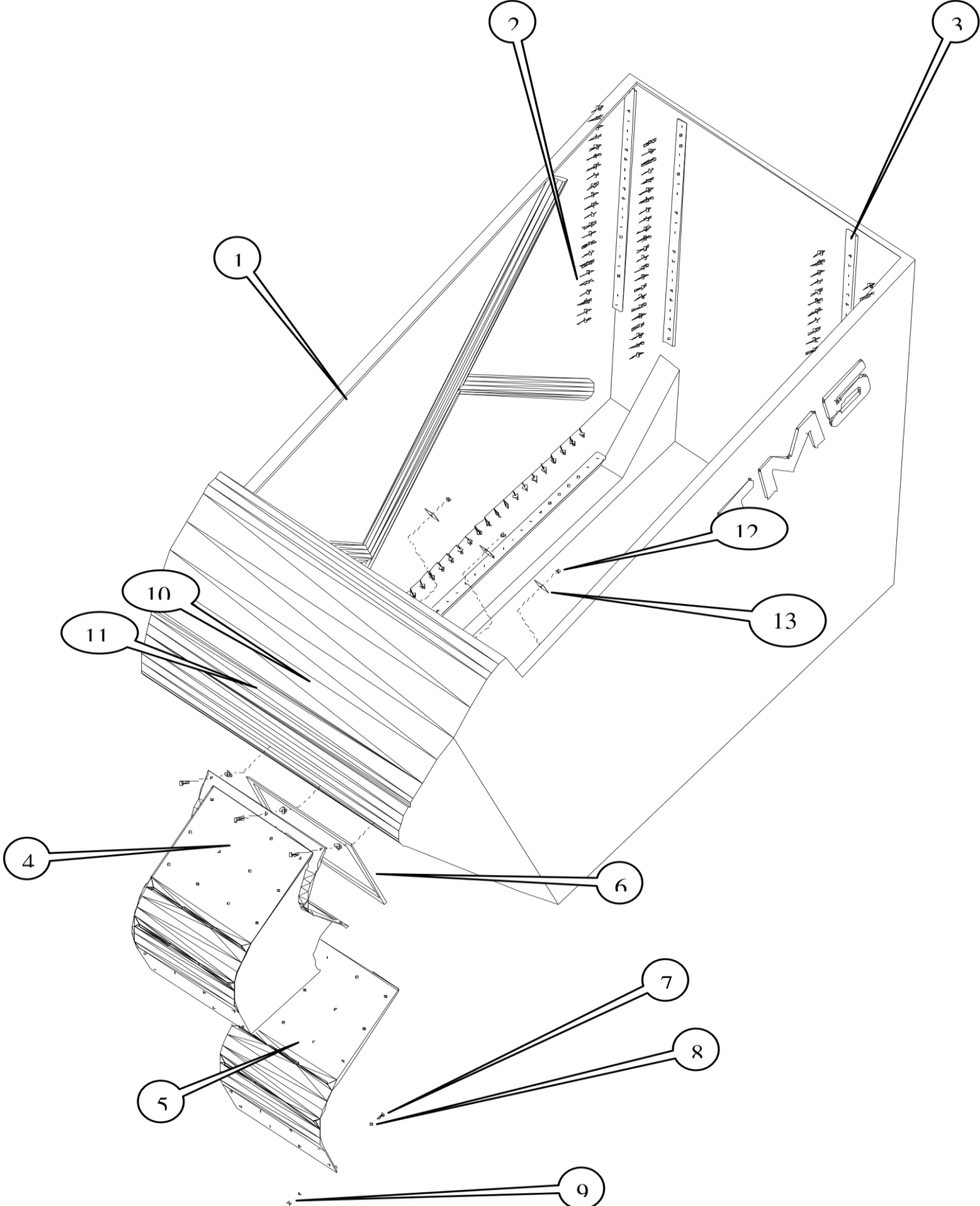


## 2.3 Main Assembly – Suction Head Lock

No	Description	Part No	Qty
1.	Bolt	10-110BZY	4
2.	Rope Guide (L/H)	T001769	1
3.	Handle	T001980	1
4.	Rope Grip	T000158	1
5.	Wire Rope	T002473	1
7.	Nylock Nut	10NNZY	4
8.	Hook Spring	T002140	2
9.	Nylock Nut	10NNZY	2
10.	Plain Washer	10PWZY	2
11.	Bolt	12-90BZY	1
12.	Lock Hook	T001755	1
13.	Rope Grip	T002473	1
14.	Plain Washer	12 PWZY	2
15.	Bolt	10-80BZY	2
16.	Spring Tensioner Bolt	T002474	2
17.	Nylock Nut	12NNZY	1
18.	Hook Support Plate	T001759	1
19.	Plain Nut	10PNZY	4
20.	Set Screw	10-45SSZY	2
21.	Plain Nut	10PNZY	4
22.	Hook Spacer	T001761	1



Diagram 2.4 – Hopper



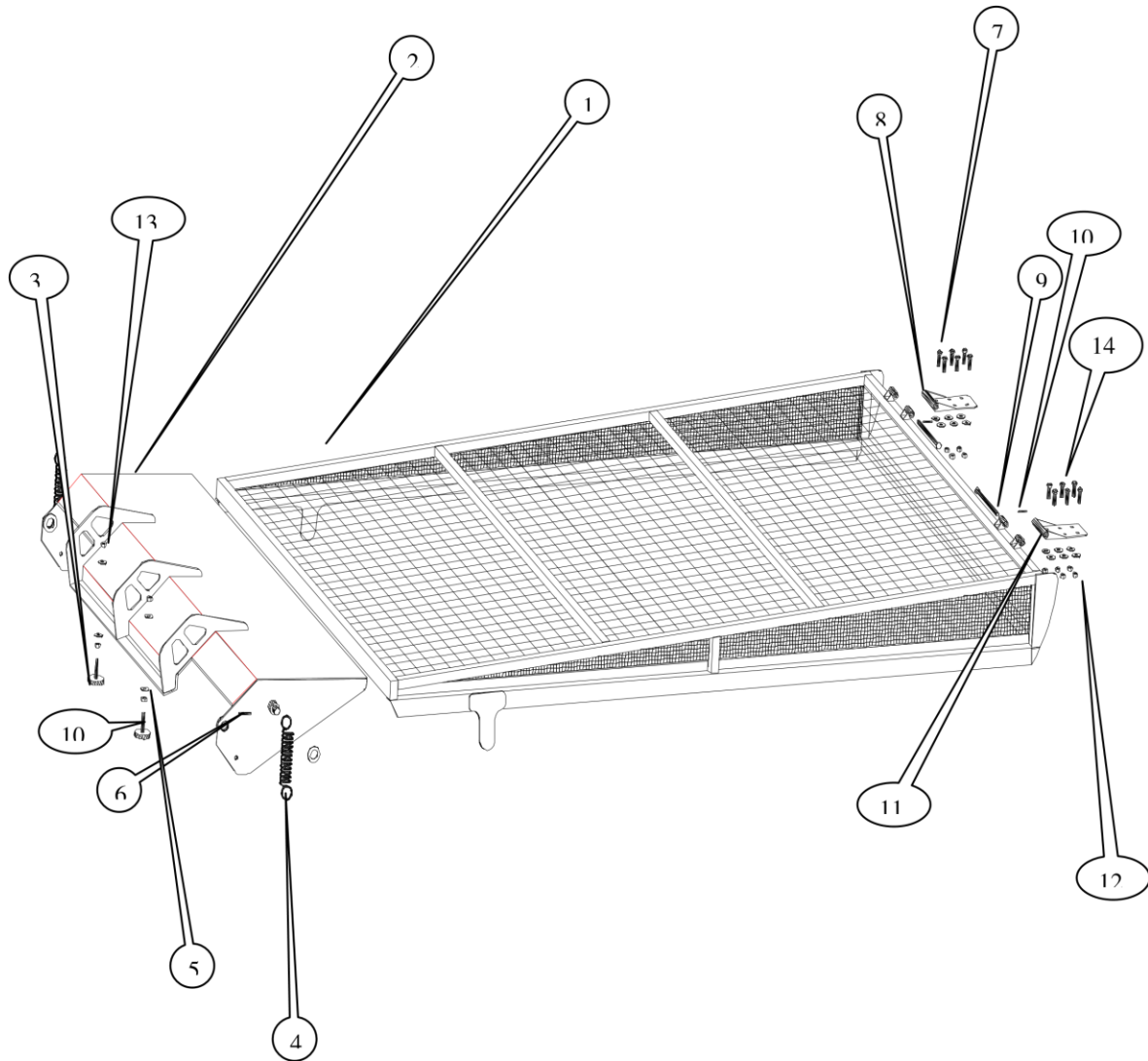




## 2.4 Main Assembly – Hopper

No	Description	Part No	Qty
1.	Hopper	T001386	1
2.	Avdale Rivet	T002468	200
3.	Hopper Retaining Strip	T001870	6
4.	Hopper Intake	T001662	1
5.	Spout Liner	T002469	1
6.	Gasket	T002470	1
7.	Gutter bolt	6-20GBZC	24
8.	Plain Washer	6PWZY	48
9.	Nylock Nut	6NNZY	24
10.	Plain Washer	6RWZY	8
11.	Coach bolt	8-30CSZC	8
12.	Nylock Nut	8CBZY	8
13.	Hopper washer	T001667	8

Diagram 2.5 – Roof

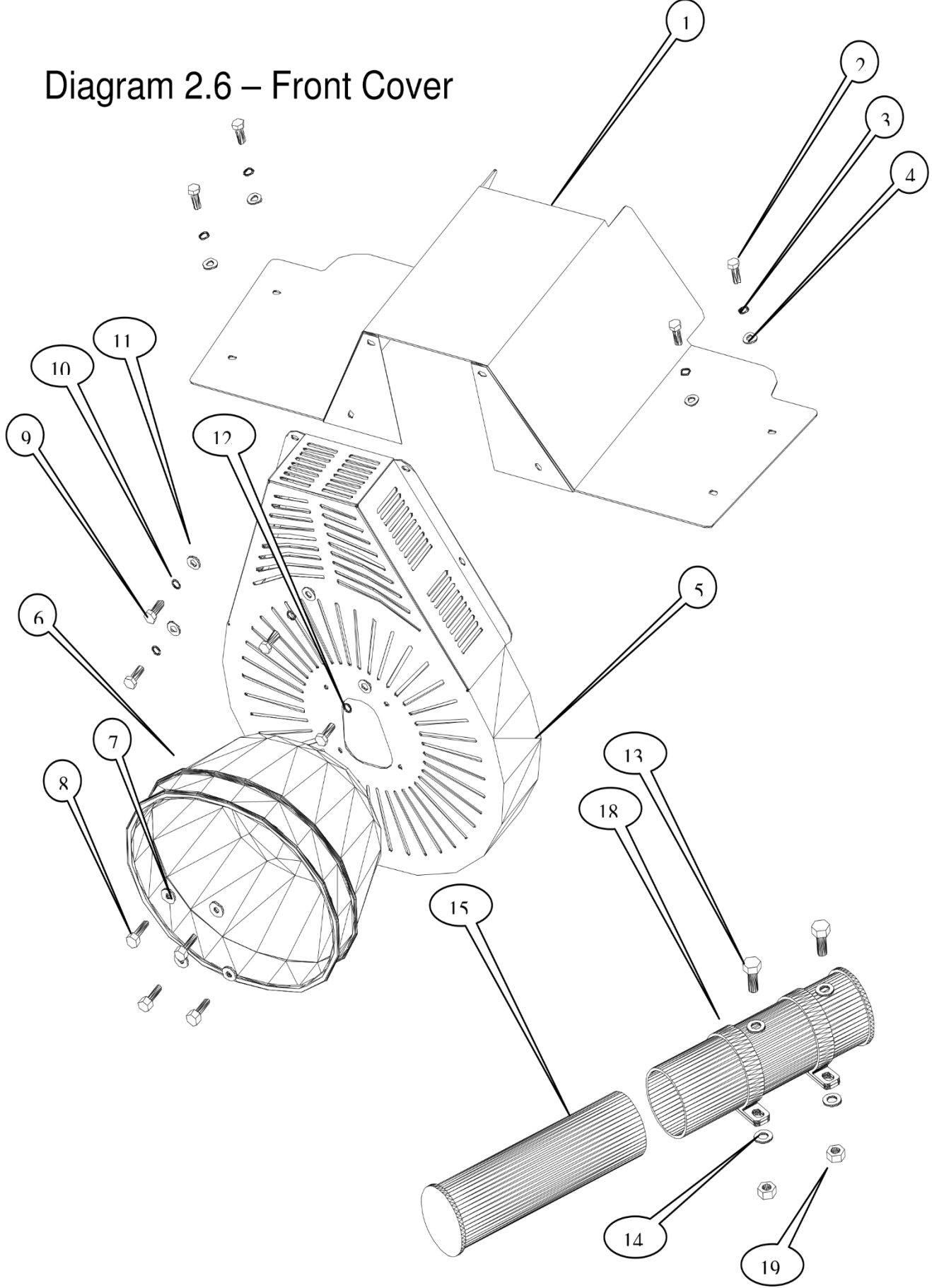




## 2.5 Main Assembly – Roof

No	Description	Part No	Qty
1.	Roof ASM	N/A	1
2.	Tip lip	T001563	1
3.	Bump Stop	T002564	2
4.	Spring	T001877	2
5.	Washer	8PWZY	2
6.	R Clip	T002475	2
7.	Coach Bolt	8-30CBZC	12
8.	Roof Hinge	T001454	2
9.	Roof Hinge Pin	T001865	2
10.	Split Pin	4-35SPZC	2
11.	Repair Washer	8RWZY	12
12.	Nylock Nut	8NNZY	12
13.	Nylock nut	8NNZY	2
14.	Set Screw	8-60SSZY	2

Diagram 2.6 – Front Cover

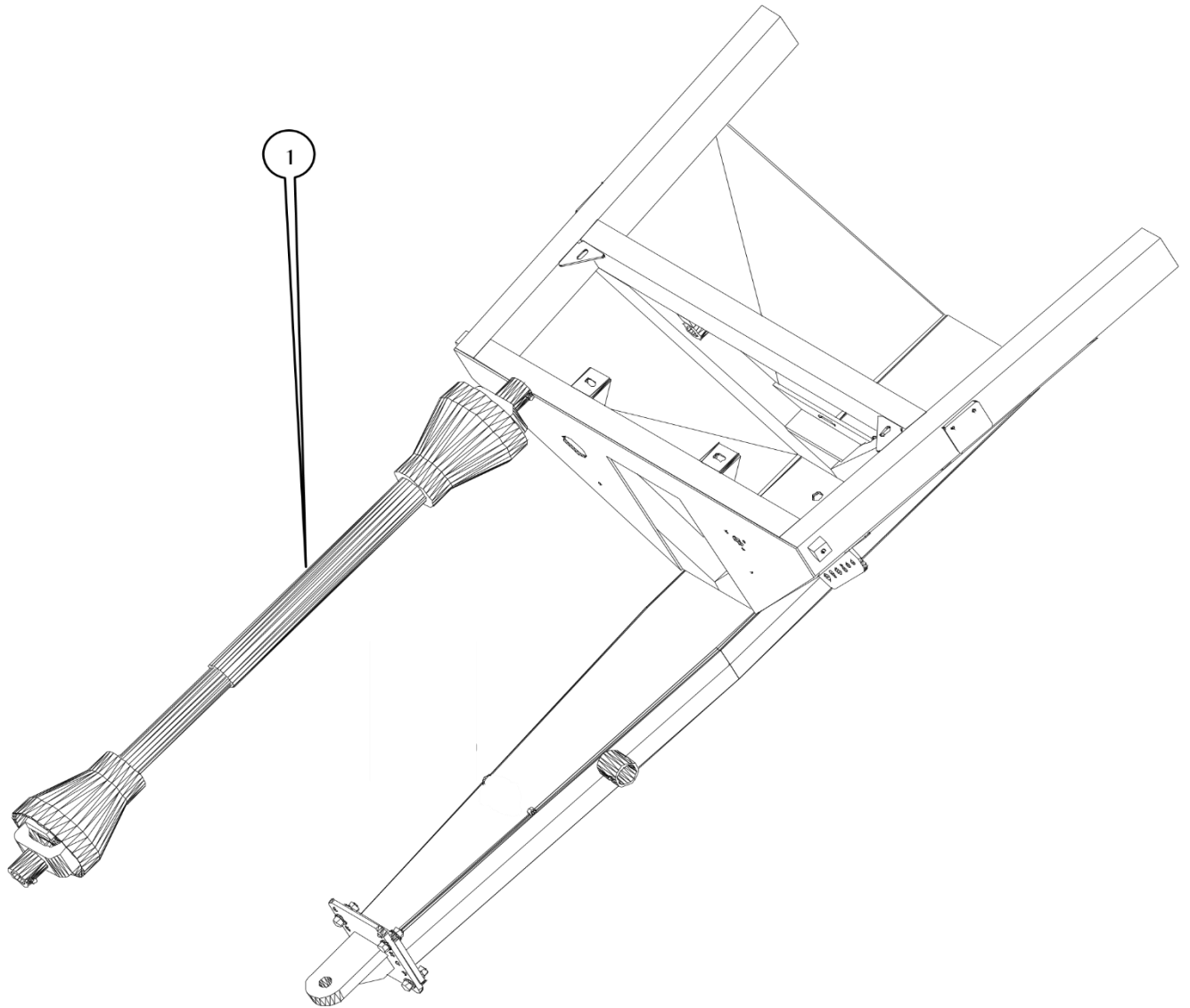




## 2.6 Main Assembly - Front Cover

No	Description	Part No	Qty
1.	Top Guard	T001750	1
2.	Set Screw	6-20SSZY	4
3.	Spring Washer	6SWZY	4
4.	Plain Washer	6RWZY	4
5.	Front Belt Guard	T001696	1
6.	Input Shaft Guard	T002472	1
7.	Plain Washer	6RWZY	4
8.	Set Screw	6-20SSZY	4
9.	Set Screw	6-30SSZY	4
10.	Spring Washer	6SSZY	4
11.	Plain Washer	6RWZY	4
12.	Nylock Nut	6NNZY	4
13.	Set Screw	10-25SSZY	2
14.	Plain Washer	10PWZY	4
15.	Manual tube	T000697	1
16.	Parts manual	T001601	1
17.	Operators Manual	T001873	1
18.	P Clip	T000696	2
19.	Nylock Nut	10NNZY	2

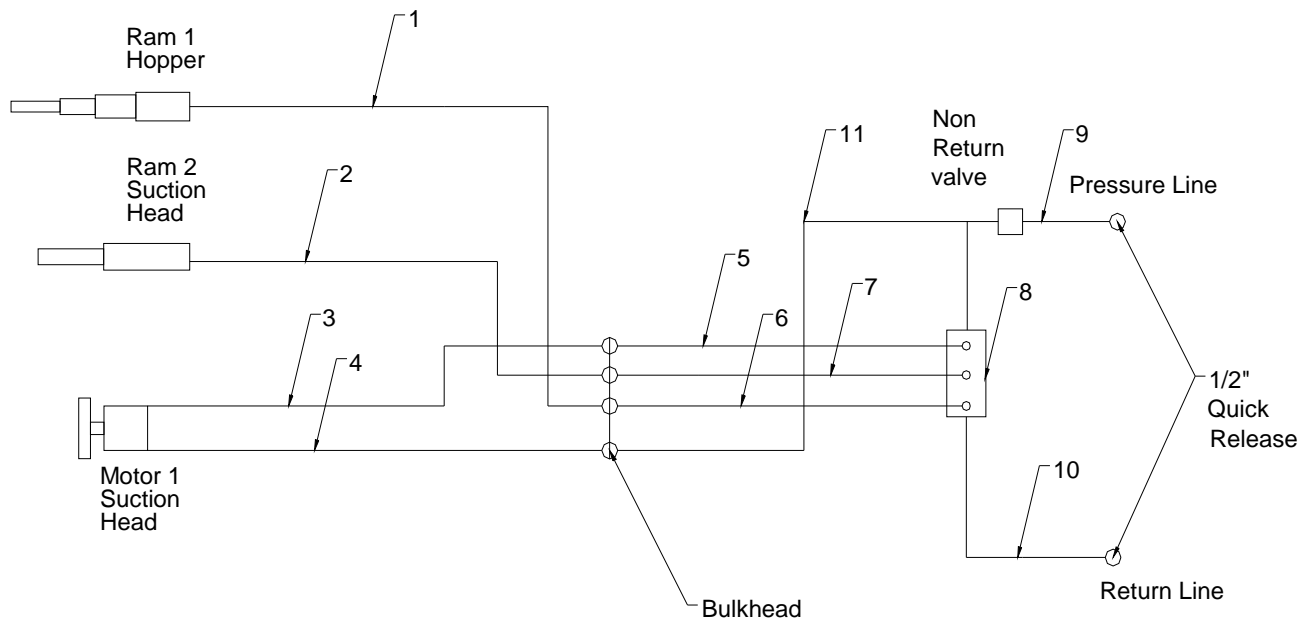
## Diagram 2.7 - PTO Shaft



2.7 Main Assembly – PTO Shaft

No	Description	Part No	Qty
1.	PTO Shaft	T002471	1

## 2.8 Main Assembly (Hydraulics)



## 2.8 Main Assembly (Hydraulics)

No	Description	Part No	Qty
1.	Rear tip ram kit	T002480	1
2.	Devils fork ram kit	T002481	1
3.	Brush motor top kit	T002482	1
4.	Brush motor bottom kit	T002483	1
5.	Top port kit	T002484	1
6.	Third port kit	T002485	1
7.	Second port kit	T002486	1
8.	Valve block kit	T002491	1
9.	Tractor pressure kit	T002492	1
10.	Tractor return kit	T002493	1
11.	Fourth port kit	T002494	1

## 3.0 Decal Location

Rear View



### Decal Part Numbers

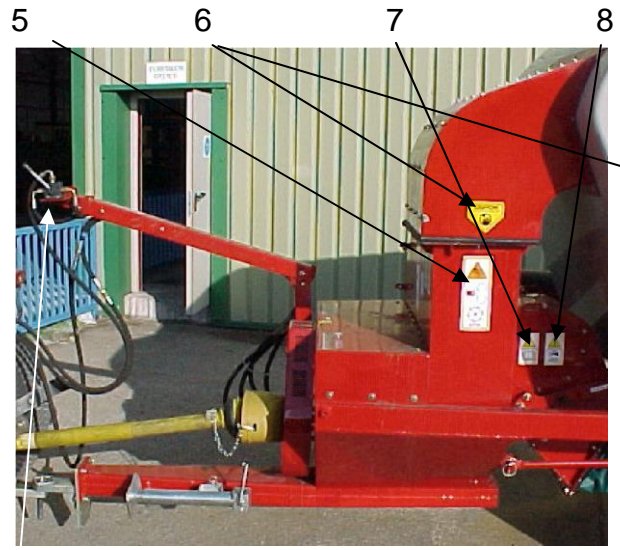
No

- |   |         |                                  |
|---|---------|----------------------------------|
| 1 | T001883 | Danger (Electrical Hazard)       |
| 2 | T001884 | Caution (Crush Hazard)           |
| 3 | T000494 | Caution, Remove key, Read Manual |
| 4 | T000497 | Turfmech Logo                    |
| 5 | T000990 | Warning, Rotating Parts          |
| 6 | T000500 | Caution, Keep Hands & Feet Off   |
| 7 | T000495 | Caution, Read Manual             |
| 8 | T000494 | Caution, Remove Key, Read Manual |
| 9 | T002106 | Hydraulic Functions              |



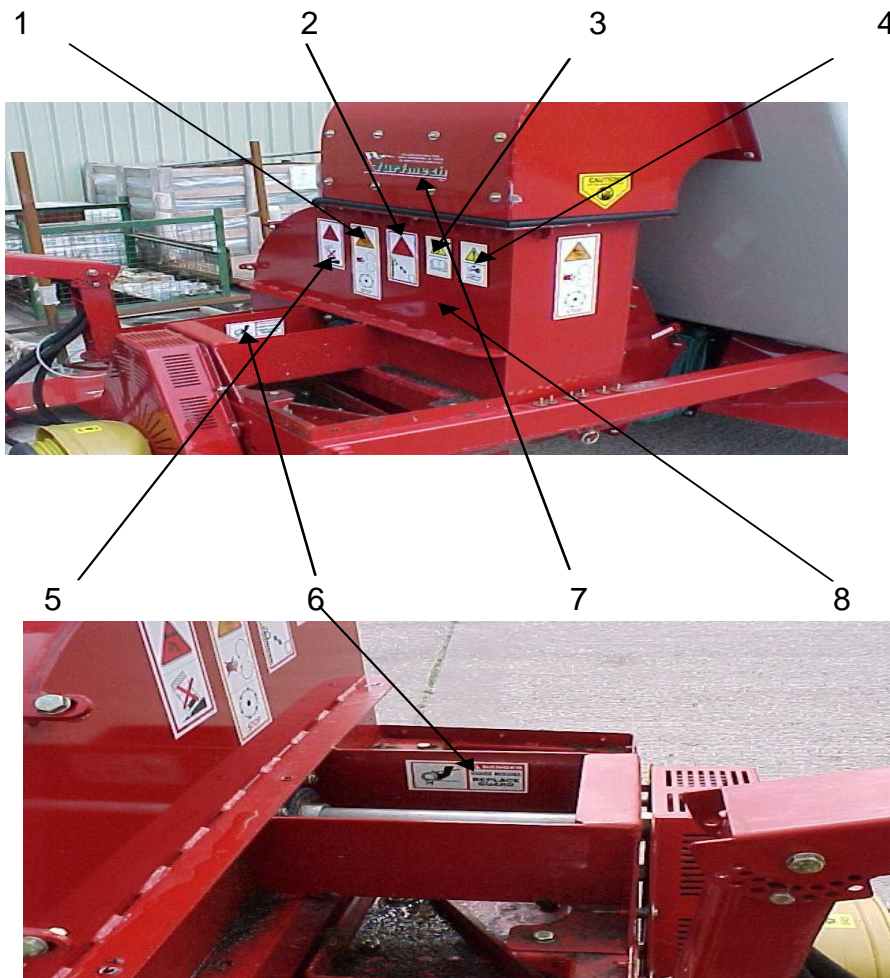
L/H Side View

R/H Side View



## Front View (Top cover removed)

Decal Part Numbers	
No	
1	T000990 Warning Rotating Parts
2	T001882 Danger (Electrical Hazard)
3	T000495 Caution, Read Manual
4	T000494 Caution, Remove key, Read Manual
5	T001883 Danger (Crush Hazard)
6	T000493 Danger, Guard Removed
7	T000497
8	T002548 ear protection



## Front Cover

No	Decal	Part Numbers
1		T002309 540 RPM Max
2		T000493 Danger, Guard Removed
3		T000333 Serial Plate

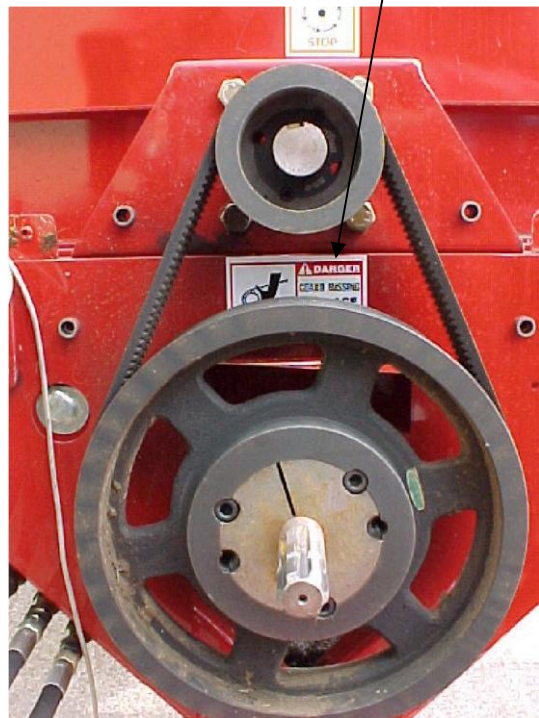


1

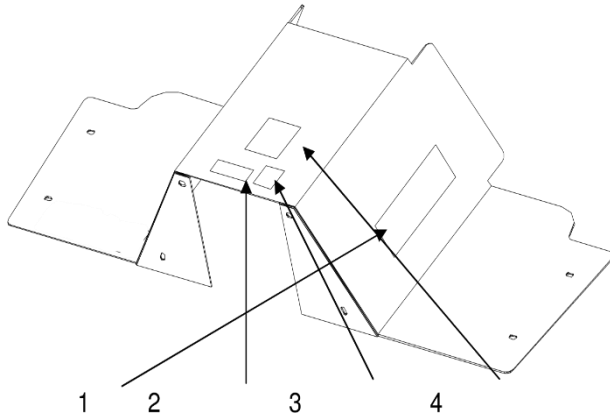
Front Cover

2

removed



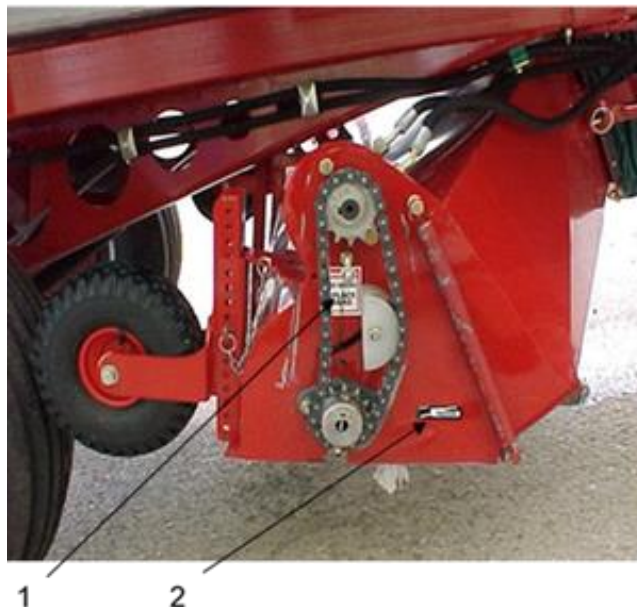
## Top Cover



No	Decal Part Numbers
1	T000497 Turfmech Logo
2	T000498 Grease Point
3	T002309 540 RPM Max
4	T000496

No	Decal Part Numbers
1	T000493 Danger, Guard Removed
2	T000498 Grease Point Both sides

## Suction head Brush drive (Cover removed)





## Decal Description

**PART No,      QUANTITY                      DESCRIPTION**

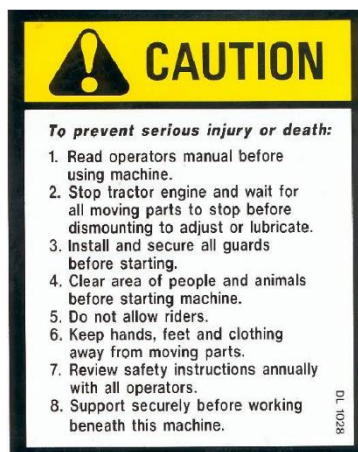
T000494                      3                      CAUTION REMOVE KEY, READ MANUAL



T000333                      1                      IDENTIFICATION PLATE.

!" # \$ % & ' (%#\$\$) *+ #, %-                      (%#\$\$) *+ #, *- <b>CE</b>	
MODEL	<input type="text"/>
SERIAL No	<input type="text"/>
YEAR OF MAN'F.	<input type="text"/>
UNLADEN WEIGHT Kg	<input type="text"/>

T000496                      1                      CAUTION (TEXT)



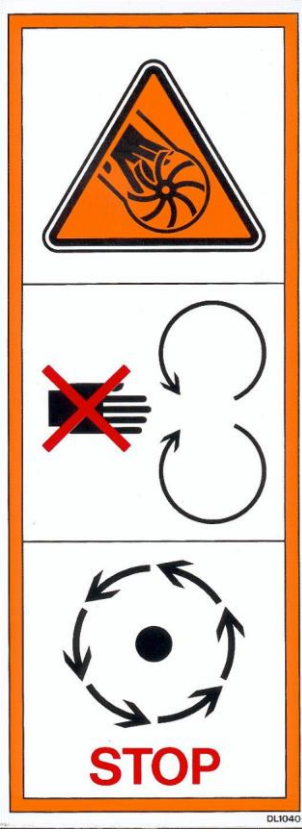
PART No,	QUANTITY	DESCRIPTION
T000495	2	CAUTION READ MANUAL



T000498	14	GREASE POINT DECAL
---------	----	--------------------



PART No,	QUANTITY	DESCRIPTION
T000990	2	WARNING, ROTATING PARTS



T001882	3	DANGER, ELECTRICAL HAZARD
---------	---	---------------------------



PART No,	QUANTITY	DESCRIPTION
T001883	1	DANGER, CRUSH HAZARD



T000493	4	DANGER, GUARD REMOVED
---------	---	-----------------------





PART No,	QUANTITY	DESCRIPTION
T001884	2	CAUTION, CRUSH HAZARD



T000500	2	CAUTION KEEP HANDS AND FEET OFF
---------	---	---------------------------------








T002309	2	MAXIMUM RPM 540
---------	---	-----------------





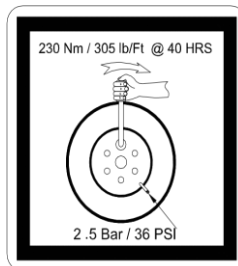
PART No,	QUANTITY	DESCRIPTION
T002106	1	Hydraulic Functions

 <b>HOPPER LOWER</b>	 <b>SUCTION HEAD LOWER</b>	<b>ENGAGE BRUSH DRIVE</b>  
<b>HOPPER LIFT</b> 	<b>SUCTION HEAD LIFT</b> 	

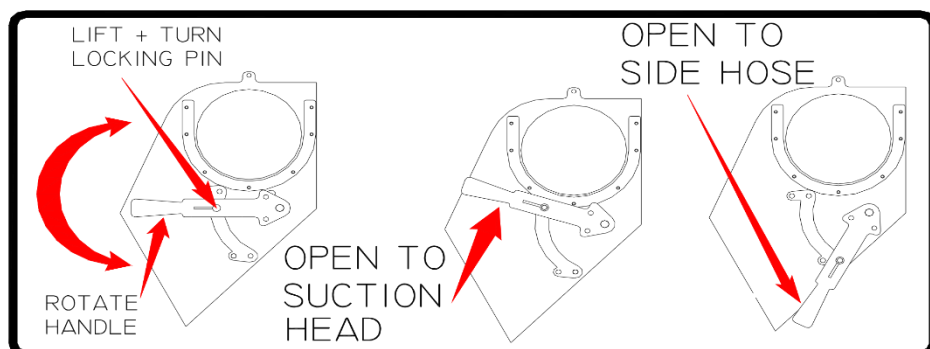
T002548	1	Ear Protection Needed
---------	---	-----------------------



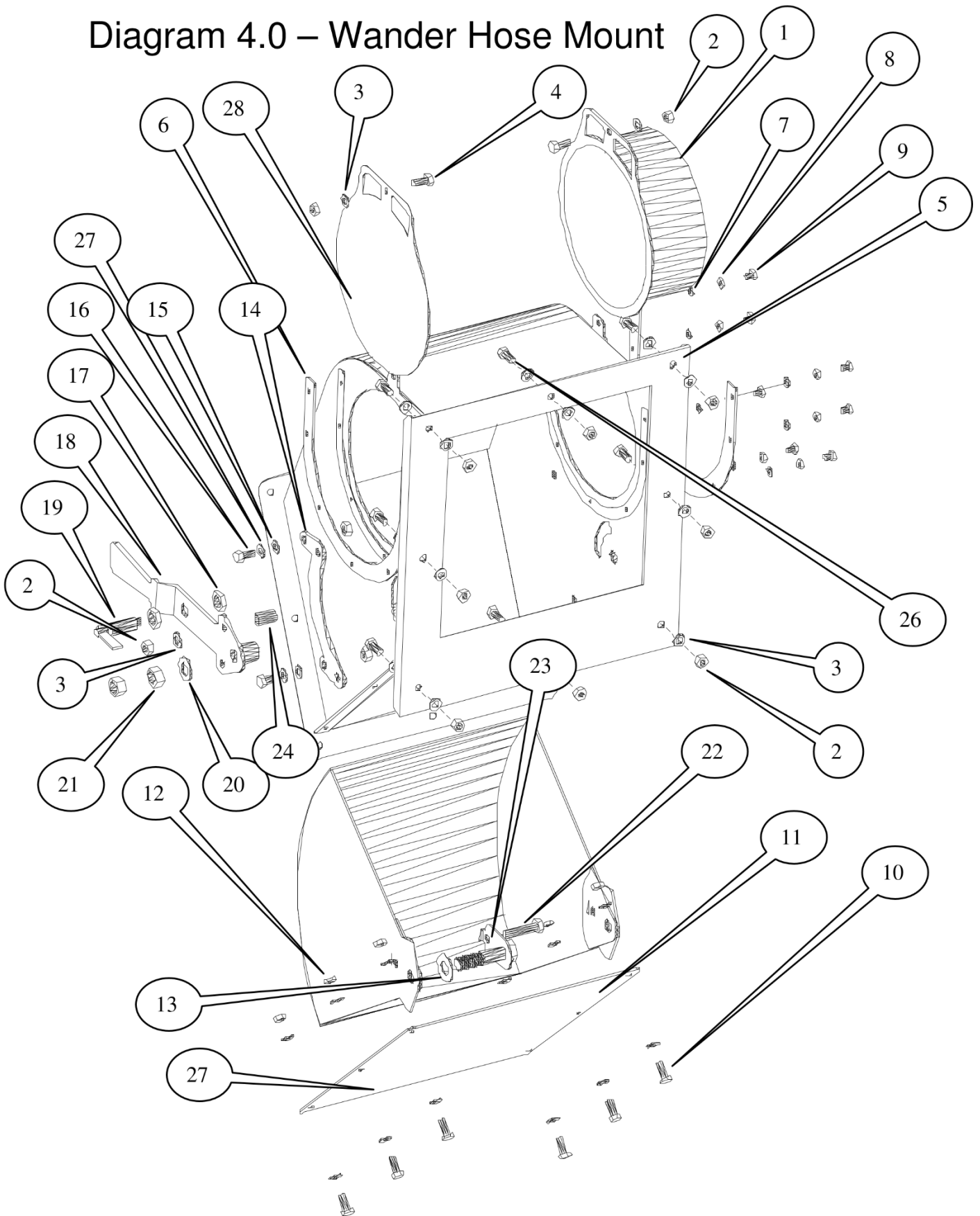
T002546	2	Torque up wheel nuts
---------	---	----------------------



T002512	2	Suction Change over Flap
---------	---	--------------------------



## Diagram 4.0 – Wander Hose Mount

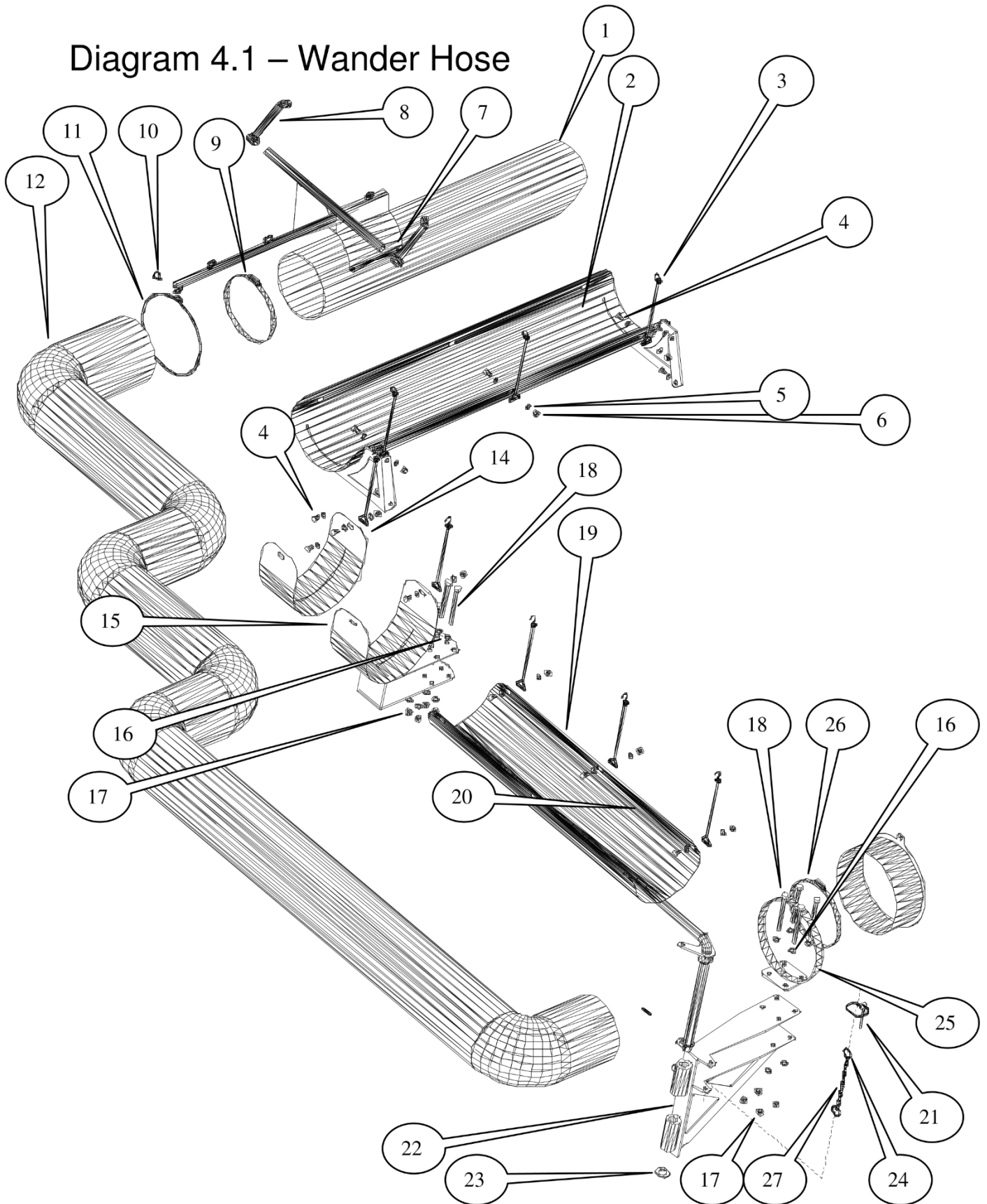




## 4.0 Optional Extras – Wander Hose Mount

No	Description	Part No	Qty
1.	8" Hose Flange	T001921	1
	10" Hose Flange	T001496	1
2.	Nylock nut	10NNZY	12
3.	Plain washer	10PWZY	14
4.	Set Screw	10-25SSZY	2
5.	Manifold	T001594	1
6.	Side Hose Mount flange	T001582	2
7.	Plain washer	8PWZY	26
8.	Plain Nut	8PNZY	14
9.	Set Screw	8-12SSZY	14
10.	Set Screw	8-20SSZY	6
11.	Inlet Bottom Plate	T001938	1
12.	Nylock Nut	8NZY	6
13.	Diverter Shim	T001576	2
14.	Handle Lock	T001584	1
15.	Plain Washer	12PWZY	2
16.	Set Screw	12-25SSZY	2
17.	Half nut	20HNZB	2
18.	Side handle	T001527	1
19.	Spring Loaded Pin	T001913	1
20.	Plain Washer	20PWZY	1
21.	Plain Nut	20PNZY	2
22.	Set Screw	12-80SSZY	2
23.	Diverter Pivot Bolt Plate	T001580	2
24.	Diverter Spacer	T002458	2
25.	Diverter Flap	T001574	1
26.	Set screw	10-25SZY	8
27.	Spring washer	12SWZY	2

Diagram 4.1 – Wander Hose



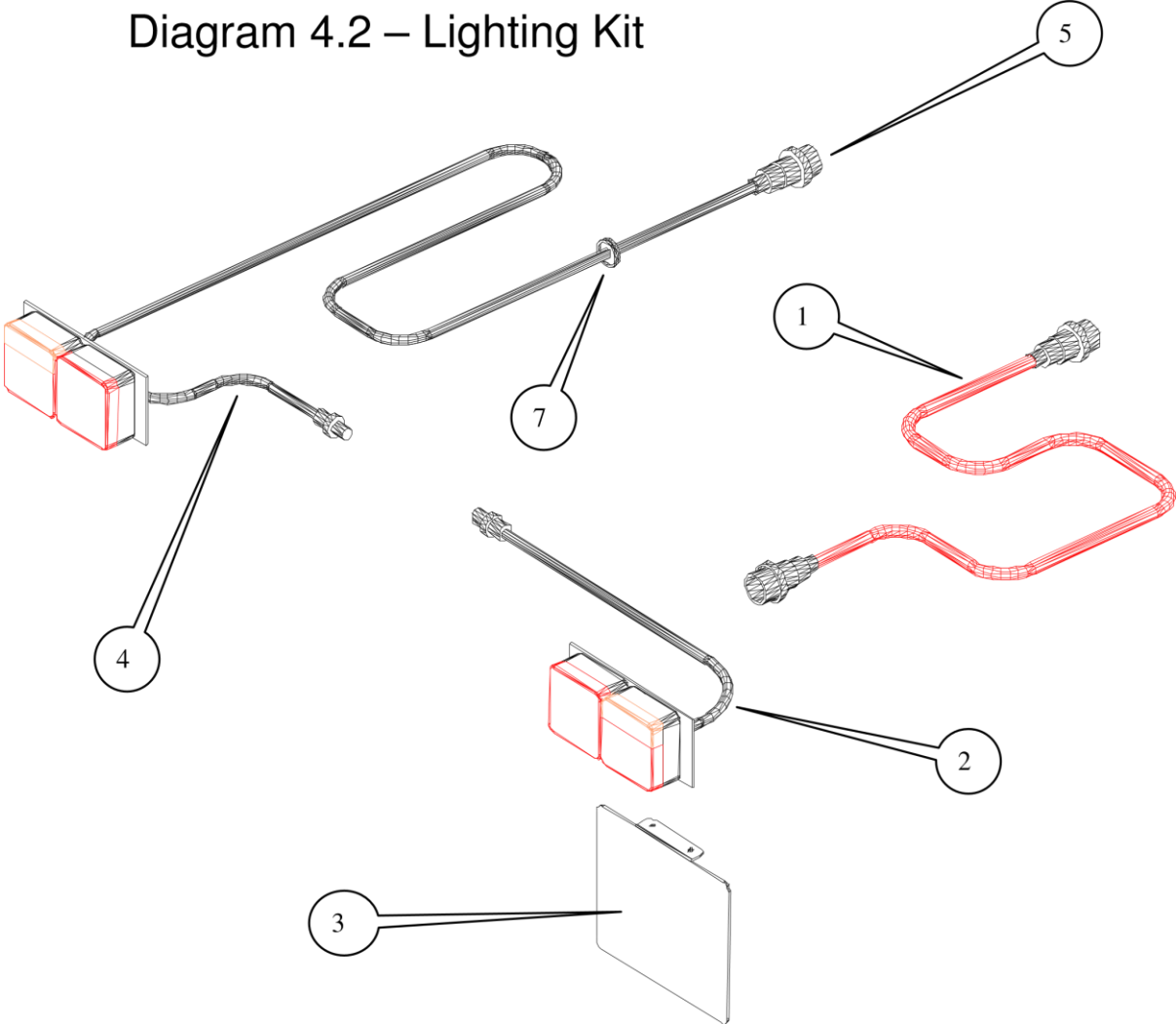


## 4.1 Optional Extras – Wander Hose

No	Description	Part No	Qty
1.	8" Inlet Tube	T000796	1
	10" Inlet Tube	T000670	1
2.	Storage Gutter	T001733	1
3.	Bungee Cord	T001933	8
4.	Set Screw	10-25SSZY	10
5.	Plain Washer	10RWZY	8
6.	Nylock nut	10NNZY	8
7.	8" Hose Frame Plate	T000856	1
	10" Hose Frame Plate	T000672	1
8.	Bar Ends	T001036	2
9.	Jubilee Clip 8"	T000959	1
	Jubilee Clip 10"	T000977	1
10.	D shackle	T000958	1
11.	8" Hose Ring	T000794	1
	10" Hose Ring	T001063	1
12.	8" Hose	T005032	1
	10" Hose	T005033	1
13.	Harness (NOT SHOWN)	T002375	1
14.	Rear hose hook	T001739	1
15.	Hose Support	T001744	1
16.	Plain Washer	12PWZY	8
17.	Nylock Nut	12NNZY	8
18.	Bolt	12-120BZY	8
19.	Arm	T001715	1
20.	Lynch pin	T000577	1
21.	R Clip	T000144	1
22.	Support Arm	T001718	1
23.	Plain Washer	C24PWZY	1
24.	Snap Ring	T002451	2
25.	8" Hose Guide	T001727	1
	10" Hose Guide	T001723	1
26.	Jubilee Clip 8"	T000959	1
	Jubilee Clip 10"	T000977	1
27.	Chain	T001894	1



Diagram 4.2 – Lighting Kit







## 4.2 Optional Extras – Lighting Kit

No	Description	Part No	Qty
1.	Extension cable	T002705	1
2.	R/H Light Assy	T005034	1
3.	Number Plate Back	T001986	1
4.	R/H Light Assy	T005035	1
5.	Female & Pin socket	T002464	1
6.	Rear Triangle(NOT SHOWN)	T002707	2
7.	Grommet	T002465	1